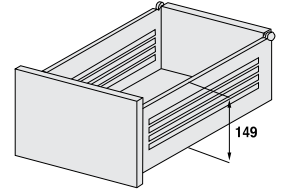


Harn Impaz

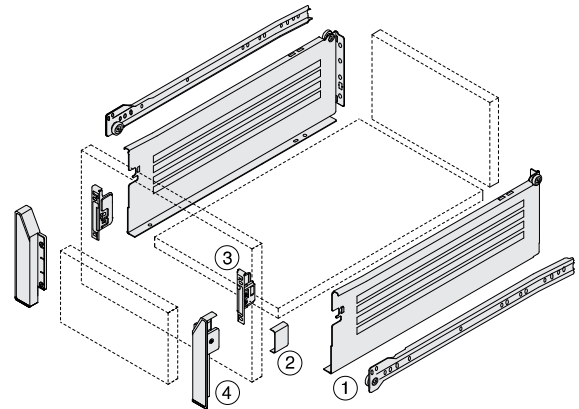


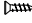


Impaz Standard Drawer/Inner Drawer U – Single Extension

- Single extension
- Steel drawer side panels 149mm
- Epoxy coated
- Load capacity of 30kg
- Self closing feature
- Flexible 2-dimensional front adjustment
- Smooth rolling mechanism
- Double out-stop safety feature
- Locked-in position when fully extended



*Please contact us directly to discuss your Harn Impaz requirements so that we may offer you the best possible pricing structure.

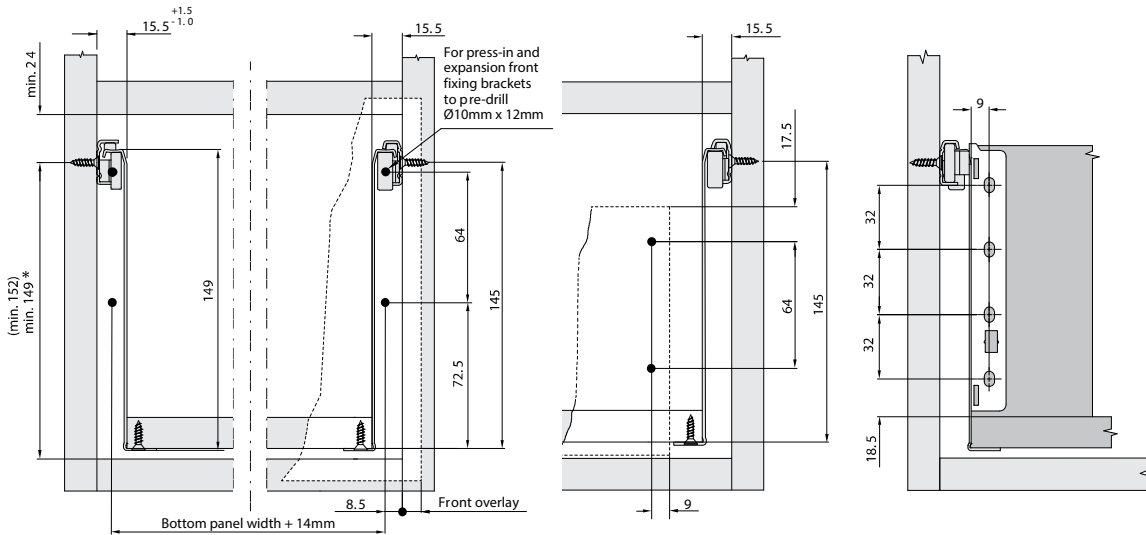


				Size	Finish	Sales Unit
	Screw On Base Fixing	Plug On Base Fixing				
① Drawers	4620.35	4621.35		350mm	WH	Set
	4620.40	4621.40		400mm	WH	Set
	4620.45	4621.45		450mm	WH	Set
	4620.50	4621.50		500mm	WH	Set
	4620.55	4621.55		550mm	WH	Set
②	Cover caps – See page 4.113					
	Part No.	Part No.	Part No.			
	Screw-on 	Knock-in 	Expansion 			
③ Front Fixing Brackets	RBF11240.RH	RBF12240.RH	RBF13240.RH	Right	-	
	RBF11240.LH	RBF12240.LH	RBF13240.LH	Left	-	
	RBF16040.RH	RBF17040.RH	RBF18040.RH	Right	-	
	RBF16040.LH	RBF17040.LH	RBF18040.LH	Left	-	
④ Internal Fixing Brackets	RBF36040.RH			Right	WH	Ea
	RBF36040.LH			Left	WH	Ea

Space Requirements & Front Installation Dimensions

Back Installation Dimensions

Inner Drawer



() Inner Drawer * Add 8mm when used with 201.000 Drawer Front Locking Piece.

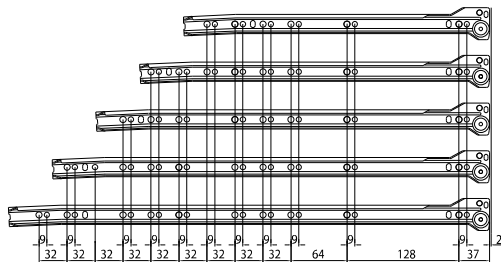
Cabinet Profile Screw Positions

Cutting Dimensions for 16mm Chipboard

Drawer Length

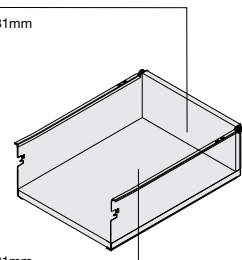
Min. Internal Cabinet Depth = Drawer Length + 3mm

- 350mm
- 400mm
- 450mm
- 500mm
- 550mm



Standard Drawer

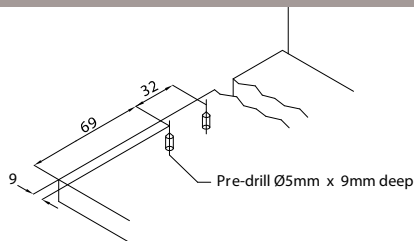
Back Panel
Width = internal cabinet width - 31mm
Height = 135mm



Bottom Panel

Width = internal cabinet width - 31mm
Length (wooden back) = Drawer length - 2mm

Pre-drilling Dimensions of Bottom Panel for Plug in



Inner Drawer

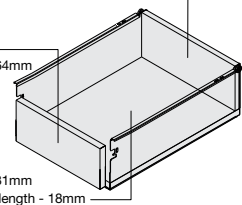
Back Panel
Width = internal cabinet width - 31mm
Height = 135mm

Front Panel

Width = internal cabinet width - 64mm
Height = 125mm

Bottom Panel

Width = internal cabinet width - 31mm
Length (wooden back) = Drawer length - 18mm



For drawers over 700mm in width we recommend the use of the Euro Orvel Lock & Support for Wide Drawers. Ref page 4.94.